

Wood burning heater Harvia Linear 16 black

WK160C

The Linear 16 heater is source of glowing heat and magnificent bath for small saunas. The simple, sculptural design adds timeless style to the sauna. Through the cast-iron glass door the warm glow of the fire adds to the sauna atmosphere. The opening direction of the door can be changed. The fire chamber and combustion air channels of Harvia heaters are designed so that sauna warms quickly and the burning is cleaner. The heaters meet the requirements for CE-marking. The recommended size of the sauna room is 6–16 m³ and the maximum amount of stones is 36 kg.



Features

Main material : Steel

H x W x D : 735.0 x 420.0 x 450.0 mm

Net weight (kg) : 46.6

Stone amount (kg) : 36.0

ID	GTIN	Power	Sauna room size min - max m ³
WK160C	6417659017909	17.9 kW	6.0-16.0

Spare parts

Product	ID	Pcs
Furnace grate	ZKIP-10	1
Connection pipe	ZKIP-130	1
Glass for stove door 184*210 mm	ZTS-36	
Ashpan RST Pro	ZKIP-720	1
Hinge pin	ZKIP-50	1
Handle for stove + screws	ZKIP-670	1
Handle for ash box	ZKIP-680	
Stove door with glass	ZROST-048	
	ZKIP-575	
Handle and screws, Chrome	SPZKIP-670	
Adjustable legs for LG150/SL	SPZKIP-918	
Hinge pin	SPZKIP-50	
Ashtray black, sauna heaters	SP682	
Cap for smoke hole (Ø 50 mm)	SPZKIP-170	
Glass 184x210x4 mm Stoves 2006-, transparent	SPZTS-36	
Stove door with glass (from 2006)	SP048	
Cast-iron grating 135x290mm, sauna heaters	SPZKIP-10	

Technical details

Technical data	Type / attribute	WK160C
	Color	Black
	Power output	17.9 kW
	Stone sizes	Ø10–15 cm
	Stone amount (kg)	36
Dimensions	Product width	420
	Product height	735
	Product depth (mm)	450
	Net weight (kg)	46.6
	Gross weight	49.2
	Package width	515
	Package height	785
	Package depth	460
Connections	Flue connection locations	Back, Top
	Chimney connection diameter	115
Safety and installation dimensions	Safety distance front (combustible materials)	400
	Safety distance right side (combustible materials)	300
	Safety distance right side non-combustible materials	50
	Safety distance left side (combustible materials)	300
	Safety distance left side non-combustible materials	50
	Safety distance side (non-combustible materials)	50
	safety distance to the side wall (combustible materials)	300
	Safety distance behind (non-combustible materials)	50
	Safety distance behind (combustible materials)	350
Safety distance (Ceiling)	1300	

DATA SHEET

HARVIA WOOD BURNING HEATERS

HARVIA

Sauna & Spa

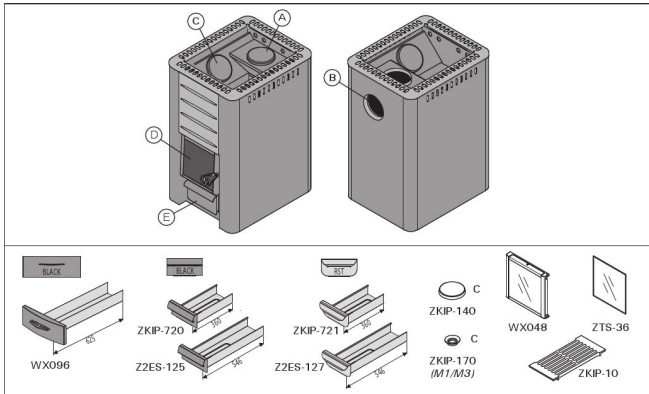
Technical details

Technical data	Type / attribute	WK160C
	Room min. height(depends on connections and therefore from output, star/delta)	2035

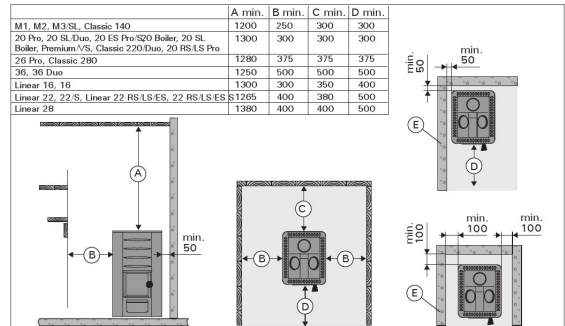
Technical images

1.1. Stove Parts

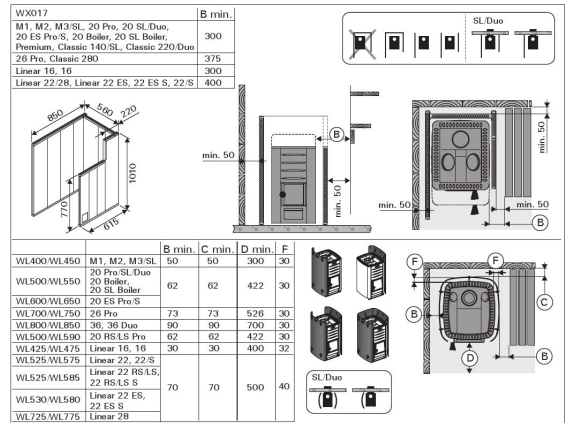
- A. Upper connection opening
- B. Rear connection opening
- C. Soot opening
- D. Stove door
- E. Ash box



Stove parts. Note! Only use replacement parts recommended by the manufacturer. Unauthorised modification of the stove is prohibited.



Safety distances (all dimensions in millimeters)



Safety distances with protective sheaths (all dimensions in millimeters)